

Racing Series

S-Line
SL2000



VERTAGEAR

Table of Contents

Introduction	02
Highlight Features	
• Effortless Assembly	03
• Steel Frame	04
• Ultra Premium High Resiliency Foam	05
• Elegant, Durable Exterior	06
Additional Features	
• Penta RS1 65mm/2.5" Caster	07
• Soft Glide Wheels / Aluminum Alloy Foot	08
• Gas Lift	09
• Extra Accessories: Cushions	10
Adjustability	11
Product Dimensions	12
Specifications & Color Options	13
Web Content	14-16



Introduction

A combination of form and function, the Vertagear Racing Series SL2000 gaming chair focuses on ergonomics, design, and functionality. Equipped with flexibility to give gamers the best comfort and support in every resting position for extended periods of time, this S-Line chair is perfect for users with a craving to grind long gaming sessions. The high backrest is designed to provide superior neck, shoulder, and lumbar support.



Highlight Features



Effortless Assembly

A patent pending "Slide-In" design mechanical structure that requires no more than one person to assemble.

Steel Frame

A sturdy and rigid steel frame support ensures long lasting durability, while keeping the chair secure, stable, and comfortable at all times.





Ultra Premium High Resiliency Foam

Our interior foam boasts a density that puts it well above the standard High Resiliency foam. Where High Resiliency foam sits at approximately 2.5lbs per cubic foot, our foam stands up to 4lbs per cubic foot, inching it near the realm of memory foam. The elasticity of the foam helps prolong the comfort life of the chair and adds to the overall durability of the product.



Elegant, Durable Exterior

Made from premium quality PVC leather with stain resistant characteristics, the SL2000 has an extra dense foam padding that adds great support and comfort. The breathable open-cell structure limits heat being trapped.

Additional Features

Penta RS1 65mm/2.5" Caster

Custom racing style caster coated with polyurethane (PU) for soft and smooth gliding on any surface. (color matching chair)





Soft-Glide Wheels / Aluminum Alloy Foot

The SL2000's wheels are engineered for quieter operation and greater resistance to foreign objects and debris. The 5-star base (made from aluminum alloy) keeps the chair solid, stable, and lightweight.

Gas Lift

The SL2000 is fitted with an industrial-quality Class-4 Gas Lift cylinders for extra durability and ease of use, while keeping your seat maintained at the proper height.



Extra Accessories: Cushions

Additional Memory Foam Neck Support and Lumbar Support cushions are included.



Adjustability

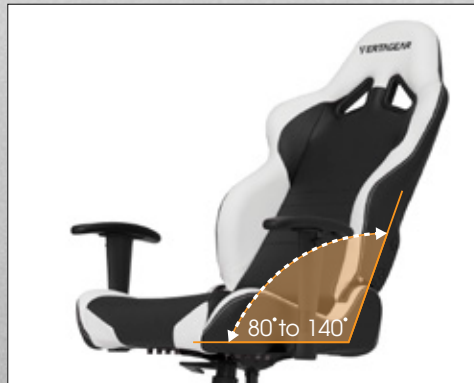
Adjustable Seat Height

The SL2000's seat and height adjustability ensures correct ergonomic posture and prevents stress to your back. Having good range of adjustability allows you to be at an optimum angle in relation to your desk, this reduces back and neck pains.



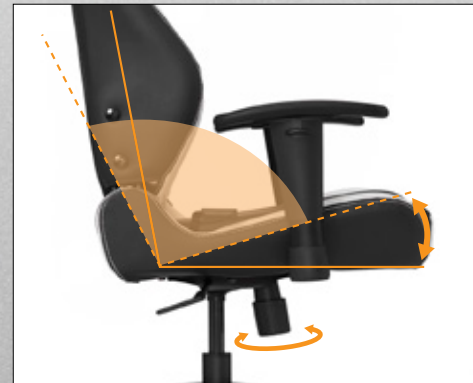
Adjustable Backrest

Features independent back angle option. An angle-adjustable backrest to help you adjust your sitting position throughout the course of your gaming experience (up to 140 degrees).



Adjustable Tilt with Locking System

Our adjustable tilt tension mechanism allows you to increase or decrease the tension by easily turning the knob to match your body weight. This allows you to rock comfortably, without heavy pushing, reducing muscle fatigue.

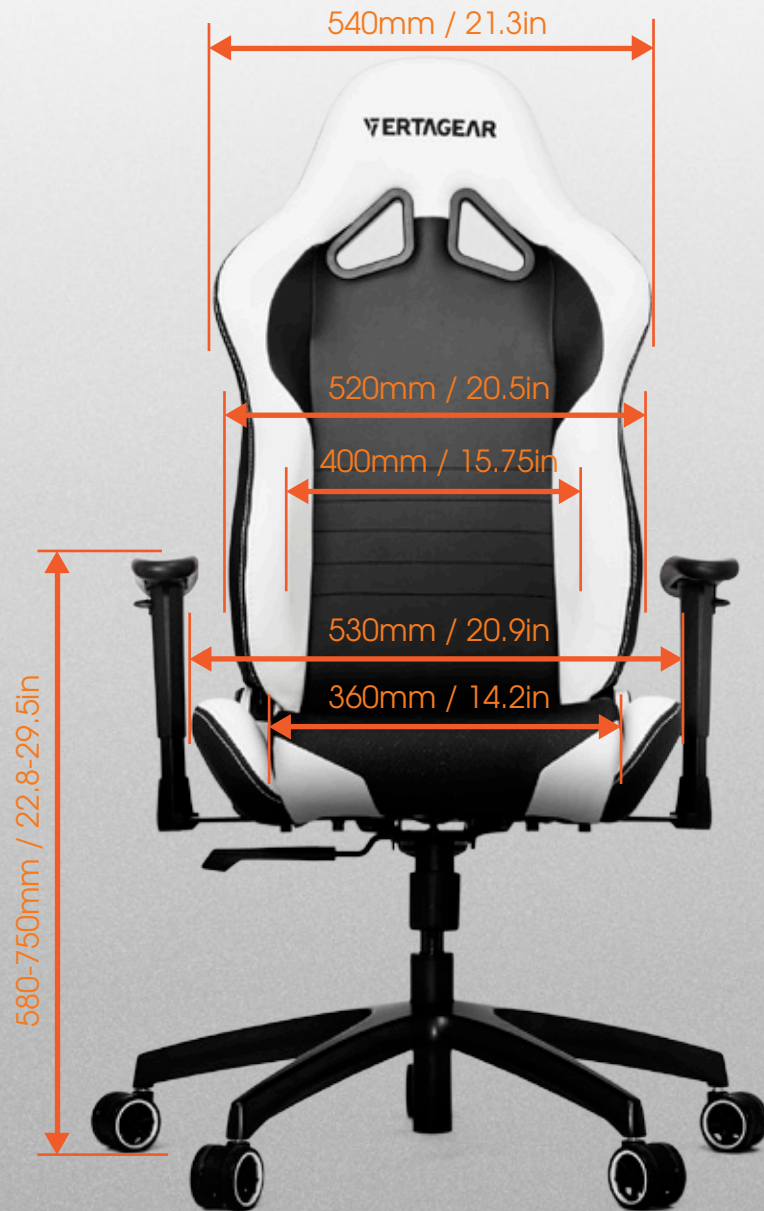


Adjustable 2D Armrests

Ergonomically designed to contour to the shape of the arm. Cushioned and adjustable in height, the armrest provides support to the forearm, relieving muscle strain and pressure to wrist.



Product Dimensions



Specifications & Color Options



VG-SL2000_CB VG-SL2000_RD VG-SL2000_GR VG-SL2000_BL VG-SL2000_PK VG-SL2000_PL VG-SL2000_WT VG-SL2000_WBK VG-SL2000_WRD VG-SL2000_WGR VG-SL2000_WBL VG-SL2000_WPL

Model:	VG-SL2000	Overall height (incl. base):	1250-1350 mm / 49.2-53.2 in
Colors:	Black Edition- Carbon Black / Red / Blue / Green / White / Pink / Purple White Edition- Black / Red / Blue / Green / Purple	Backrest Width (shoulder): 540 mm / 21.3 in Backrest Width (lumbar): 480 mm / 19 in Seat Width: 530 mm / 20.9in Seat Depth: 460 mm / 18 in	Net Weight: 23 kg / 50.6 lbs Gross Weight 26.5 kg / 58 lbs Container: 140 pcs (20') 353 pcs (40'HQ)
Max Load:	150 kg / 330 lbs		
Materials:	Steel (frame), High Density Foam, PVC Leather, Aluminum Alloy (base)		
Package Dimension:	87 x 67 x 33 cm / 34 x 26 x 13 in		

VERTAGEAR

Racing Series
SL2000



"You'll be hard pressed to find a better option"



"Vertagear's build quality is miles ahead."



"I fall into it, and never want to get out of it."

Vertagear S-Line SL2000 Racing Series Gaming Chair Rev. 2

A combination of form and function, the Vertagear Racing Series SL2000 gaming chair focuses on ergonomics, design, and functionality. Equipped with flexibility to give gamers the best comfort and support in every resting position for extended periods of time, this S-Line chair is perfect for users with a craving to grind long gaming sessions. The high backrest is designed to provide superior neck, shoulder, and lumbar support.

Highlight Features



Effortless Assembly

A patent pending "Slide-In" design mechanical structure that requires no more than one person to assemble



Sturdy Steel Frame

Ensures long lasting durability, while keeping the chair secure, stable, and comfortable at all times.



Ultra Premium High Resiliency Foam

Our foam stands up to a density of 4lbs per cubic foot, compared to standard High Resiliency foam of only 2lbs, adding greater durability and comfort.

Additional Features



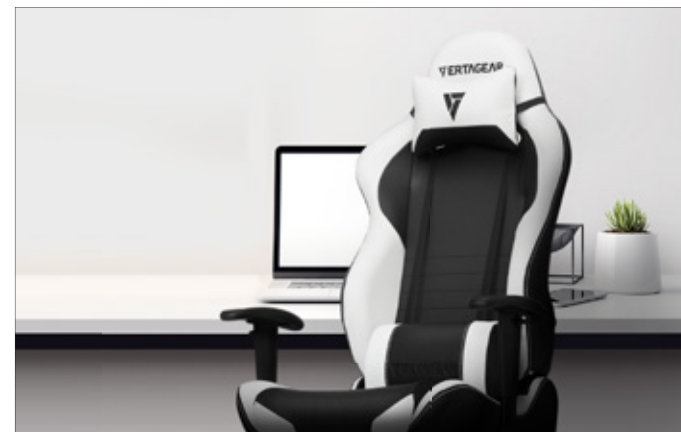
Penta RS1 65mm/2.5" Caster

Custom racing style caster coated with polyurethane (PU) for soft and smooth gliding on any surface. (color matching chair)



Reinforced 5-Star Base

The SL2000's 5-star base (made from aluminum alloy) keeps the chair solid, stable, and lightweight.



Extra Accessories: Cushions

Additional Memory Foam Neck Support and Lumbar Support cushions are included.

Adjustability



Adjustable Seat Height



Adjustable Backrest



Adjustable Tilt with Locking System



Adjustable 2D Armrests

BIFMA

SGS

EN1335

VERTAGEAR

Comfort. Design. Vertagear.

Vertagear brings inspired design and innovative features to gaming products. We want to enrich the lifestyle of gamers with products that are expressed through experiences and offer a greater appreciation of gaming products through our design.

VERTAGEAR

Comfort. Design. Vertagear.